

THE DUO

Inviting, intimate and close-knit.

The Duo is one of a kind but crafted for two. Designed for heartfelt conversations, whether you're nestled at home or enjoying the ambiance of your cherished cafe or restaurant terrace.

Pair it seamlessly with The Seat.

The Duo is available in any color.

PROPERTIES

The Duo boasts a premium-quality aluminum table top, elegantly supported by a sturdy four-legged steel base. Its robust yet flexible design ensures stability on any surface, making it a reliable and versatile addition to your space.

The Duo accommodates two individuals when used independently. By aligning multiple Duos, you can create a seating arrangement that effortlessly caters to an infinite number of guests.

SPECIFICATIONS

Capacity : 2 people

Weight : ± 25 kg

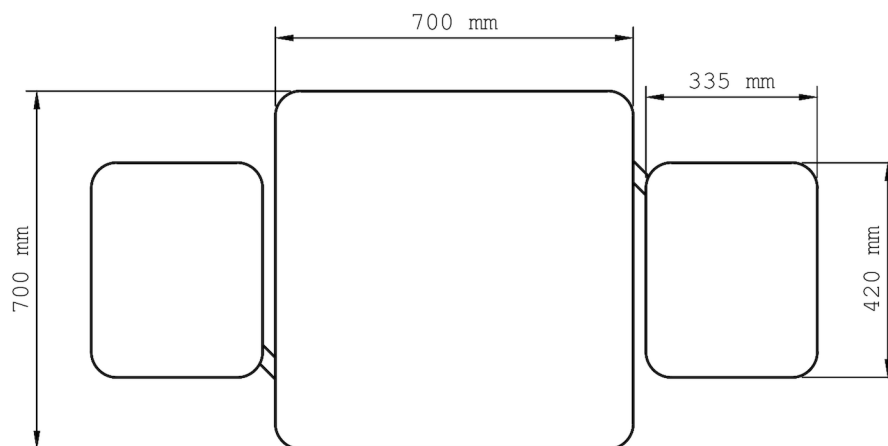
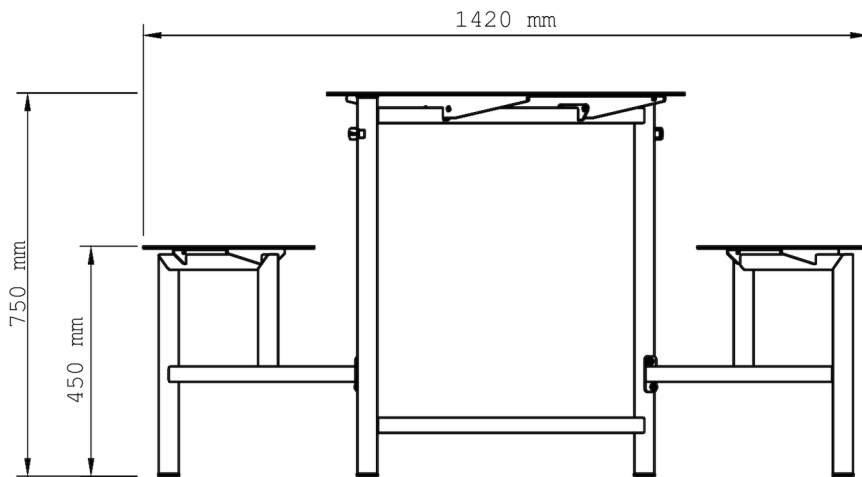
Size : 142 x 70 x 75 cm (l*w*h)

CONTACT

Questions, comments or suggestions relating to a product on our website? Feel free to get in touch with us!

Wünder - Ovenhoek 5, 8800 Roeselare, Belgium
+32 51 79 17 31 - info@wunder.be





CONTACT

Questions, comments or suggestions relating to a product on our website? Feel free to get in touch with us!

Wünder - Ovenhoek 5, 8800 Roeselare, Belgium
+32 51 79 17 31 - info@wunder.be

